

Conveyor data sheet

Copy this document to use it again !

<u>Customer</u>	<u>Contact(name/Phone)</u>	<u>Conveyor id</u>	<u>CV length</u>	<u>Belt width</u>	<u>Belt speed</u>	<u>Tonnage</u>
-----------------	----------------------------	--------------------	------------------	-------------------	-------------------	----------------

Belt

<u>Type of Belt (manufacturer and/or model)</u>	<u>PIW</u>	<u>Amount of plies</u>	<u>Bottom/Top cover</u>
<u>Other belt specifications (steel cables, chevrons, etc.)</u>	<u>Splice (cold or hot vulcanization), Mechanical (type) _</u>		

!Permanent use of mechanical splices is not recommended. To be validated.

Material handled

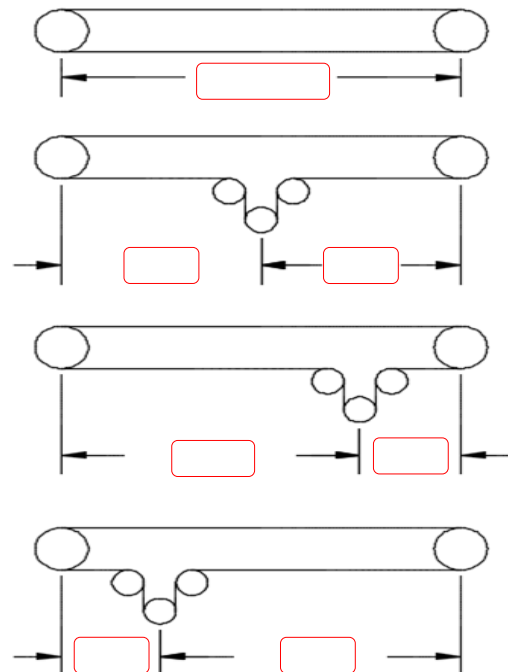
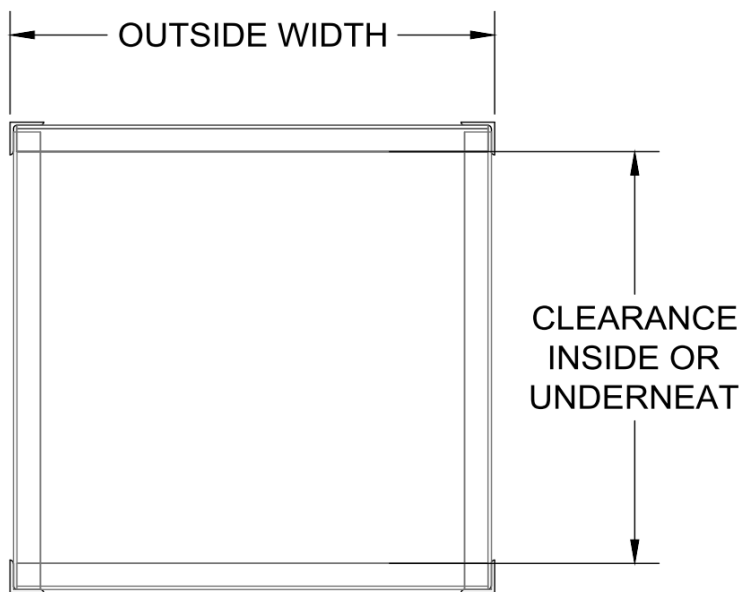
<u>Material handled:</u>	<u>Material size</u>	<u>Bulk density</u>	<u>Lump density</u>	<u>Operation temperature</u>
--------------------------	----------------------	---------------------	---------------------	------------------------------

Conveyor frame and profile

<u>Type of conveyor frame and dimensions</u> (Channel, H-Beam, truss)	<u>Orientation:</u> (wings toward the inside or toward the outside) Circle which one that applies to your conveyor
--	---



Conveyor profile (which one applies)
please add distances in the red boxes to locate the take up



Tail pulley

<u>Tail pulley type (winged, spiral wing, chevron wing, smooth, Rubber lagged):</u>	<u>Crown face (yes or no)</u>	<u>Tail pulley face length and Diameter</u>
---	-------------------------------	---